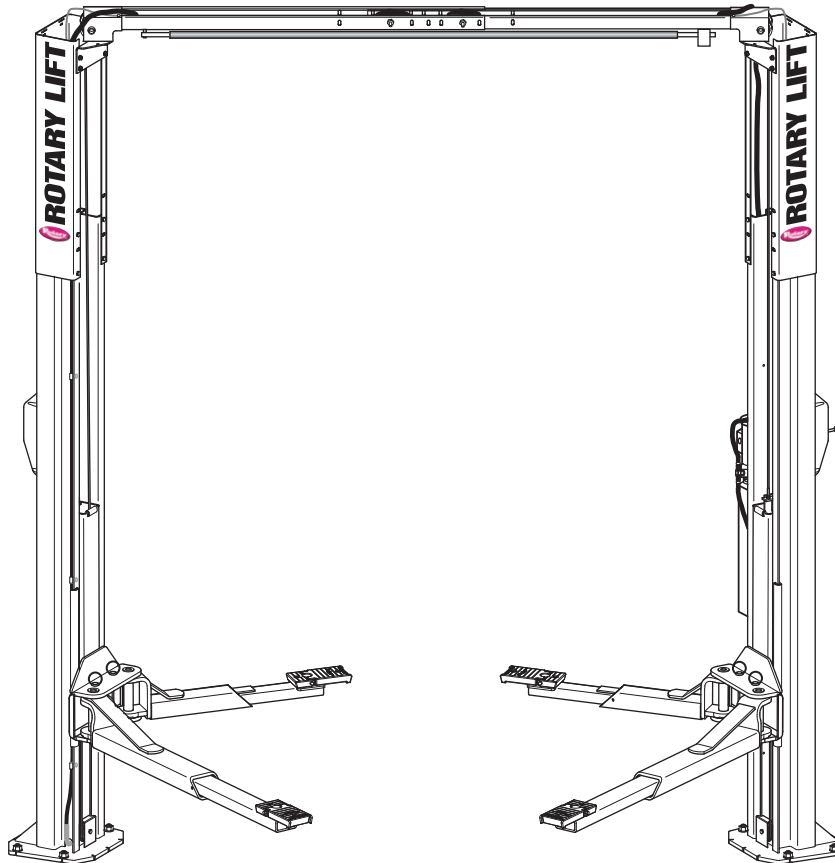




# SPOA10, SP010, SPOA7 Hybrid

(500 And 700 Series Lifts)  
Capacity 10,000 lbs.



P  
A  
R  
T  
S  
  
B  
R  
E  
A  
K  
D  
O  
W  
N

**IMPORTANT:** When ordering parts or requesting service always give exact model and power unit serial number. Model number is shown on nameplate attached to power unit column. Power unit serial number is located on side of power unit.

**OWNERS RECORD**  
Complete information at right and keep in a safe place.

Date Installed \_\_\_\_\_  
 Installed in Bay # \_\_\_\_\_  
 Power Unit Serial # \_\_\_\_\_  
 Power Unit Model # \_\_\_\_\_  
 Lift Serial # \_\_\_\_\_  
 Lift Model # \_\_\_\_\_

**NOTE: For replacement parts -See your nearest Rotary Parts Distributor.**



PB2-2-44  
Rev. V 4/9/2012

1. L.H. Column Weldment .....	N752	38. Overhead Hose	
2. R.H. Column Weldment.....	N755	Standard .....	N3103
3. Column Extension		EH-1 MODEL.....	FJ842
Standard Height .....	N470	EH-2 MODEL.....	FJ843
EH-1 MODEL .....	N471	EH-4 MODEL (SPO10 only).....	FJ845
EH-2 MODEL .....	N472	39. Equalizer Cables	
EH-4 MODEL (SPO10 only).....	N474	SPOA10NB .....	N384
4. Carriage Yoke Weldment.....	N822	SPOA10NB EH-1 MODEL .....	N385
5. Arm Pin.....	N2154	SPOA10NB EH-2 MODEL .....	N386
6. 1/4"-20NC x 3/4" Lg. HHCS .....	40099	SPOA10 .....	N372
7. Hydraulic Cylinder		SPOA10 EH-1 MODEL .....	N378
68" Rise.....	N380	SPOA10 EH-2 MODEL.....	N373
71" Rise.....	N382	SPO10.....	N374
8. Power Unit		SPO10 EH-1 MODEL.....	N379
1Ø 60Hz .....	**P1302/P3302	SPO10 EH-2 MODEL.....	N375
1Ø 50Hz .....	**P1389/P3389	SPO10 EH-4 MODEL.....	N376
3Ø.....	**P1347/P3347	40. Capacitor Box .....	FA7147-1
3Ø 575V .....	**P1359/P3359	Capacitor Box Cover Plate.....	FA7366-1
3Ø 380V (S Model).....	**P1510/P3510	Drum Switch.....	FA7364
9. Power Unit Hose.....	FJ837	Drum Switch Lever.....	FA7364-1
10. 5/16"-18NC x 1-1/2" Flanged HHCS (Full Thread).....	40509	M5 x 45 PHMS, Plated .....	41672
11. NA .....	NA	41. Locking Latch Cable.....	FJ7600
12. 5/16"-18NC Hex Flanged Lock Nut .....	40678	42. Cable Guide .....	N618
13. Actuator Pin Handle.....	FJ7985-1	43. 3/8"-16NC Flanged Locknut.....	40664
14. Actuator Pin .....	N121-1	44. Sheave Shaft.....	FJ7444-8
15. Retaining Pin .....	N119-3	45. Actuator Assembly (3Ø) .....	N432-5
16. Arm Restraint Spring .....	FJ7656-2	46. Cable End Bracket.....	N619
17. Bleeder Screw (Specify Manufacturer).....	N/A	47. Hose Clip .....	N383
18. Carriage Bumper .....	FA941	48. L.H. Overhead Assembly (Outer).....	N480
19. Arm Restraint Pawl.....	N2121	49. R.H. Overhead Assembly (Inner).....	N481
20. Approach bumper .....	FJ7391-1	50. Branch Tee .....	FJ7668
21. 5/8"-11NC Nylon Insert Lock Nut .....	40743	51. Column Mounting Bracket.....	N439
22. Truarc #5304-75 Klipring for 3/4" Shaft .....	41411	52. 3/8"-16NC x 3/4" Carriage Bolts .....	N/A
23. Sheave .....	N377	53. 1/4"-20NC Flanged Locknut.....	40641
24. 1/4"-20NC Zinc Hex Nut .....	40627	54. 3/4" Spacer .....	FJ7871
25. Sheave Cover .....	N119-1	55. Cutoff Switch Assembly	
26. 1/4"-20NC x 3/8" Lg. PHMS Plated (2 pcs.).....	40063	1Ø.....	N413
27. Slider block.....	FJ7360	3Ø.....	N432
28. 3/4" Concrete Anchor.....	FJ7380	Cutoff Switch	
29. 1-1/2" O.D. x .760-.770" I.D. x .045" Bushing .....	41388	1Ø.....	N413-1
30. 1/4"-20NC x 2-3/4" HHCS .....	40114	3Ø.....	N432-1
31. 1/4"-20NC Insert Locknut.....	40642	56. 1/4" External Tooth Lockwasher .....	40779
32. 1/8" x 1" Lg. Cotter Pin (3Ø only).....	41200	57. 1/4"-20NC x 1" HHCS Grade 5.....	40108
33. Switch Bar Assembly		58. Spring Pin-1/4" dia. x 1-1/2" Lg. (Stainless).....	14427
1Ø SPOA10NB.....	N415		
1Ø SPOA10/SPO10 .....	N467		
3Ø.....	N434		
34. Wheel Spotting Dish Kit .....	FF729		
35. 1/4" Flat Washer.....	40795		
36. 3/8"-16 NC x 3/4" Long Flanged HHCS.....	40124		
*37. Arm Restraint Kit (1 arm).....	*N2148		

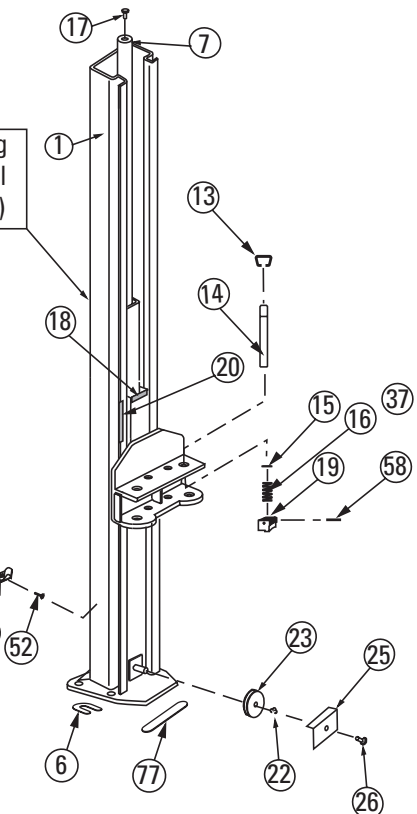
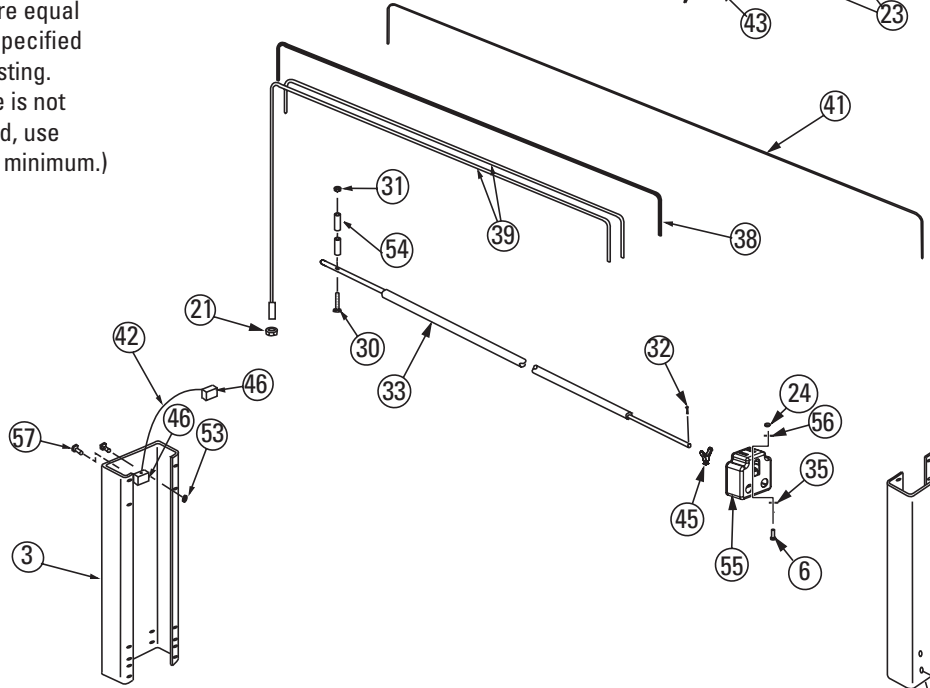
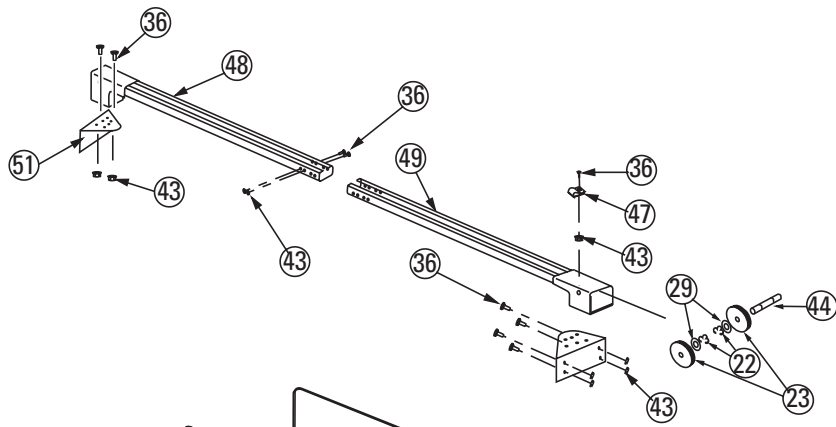
\*Arm Restraint Kit (1 Arm) Includes items 13, 14, 15, 16, 19 & 58. Also includes Restraint Gears and attaching hardware (items 21, 22 & 23) from Arm Detail section.

\*\*Two different power units were used. Please verify your model number before ordering parts.

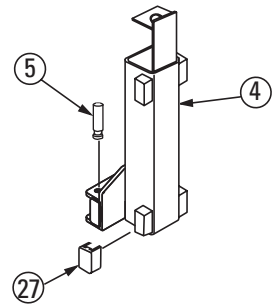
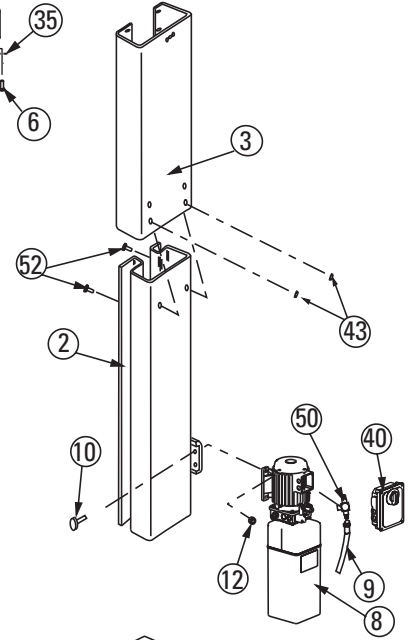
Note: Standard hardware items should be purchased from local hardware source when possible.

**CAUTION**

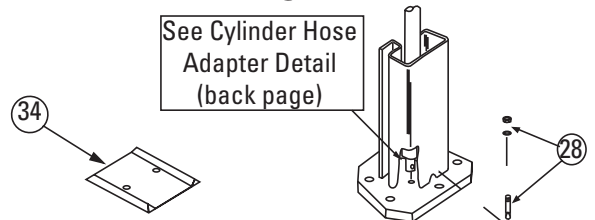
Care should be taken to use hardware equal to that specified in this listing. (If grade is not specified, use Grade 2 minimum.)

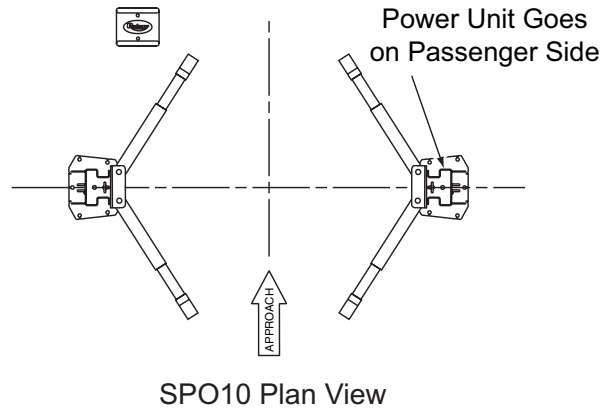
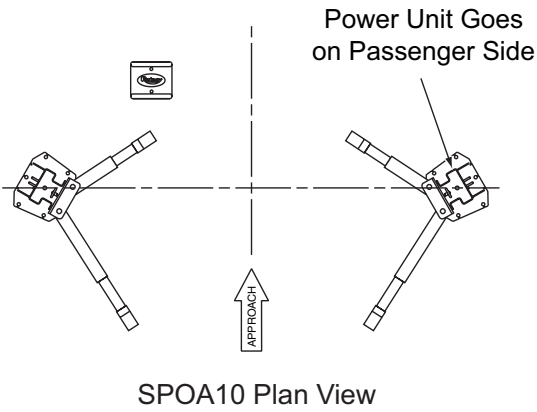


See Locking Latch Detail (back page)



See Cylinder Hose Adapter Detail (back page)





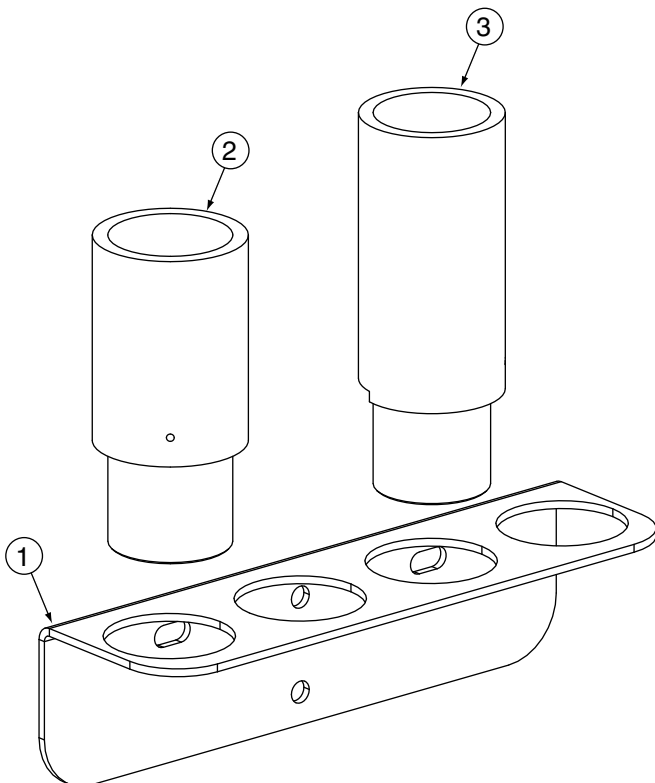
**\*Notes: 5TX, 5GX or 5BX Series?**

To find out if you have a **5TX, 5GX or 5BX** series arms look at the **last (3) numbers on the end** of your lift model number.

EXAMPLE: SPOA10N**5G5** would be a **5GX Series** model.

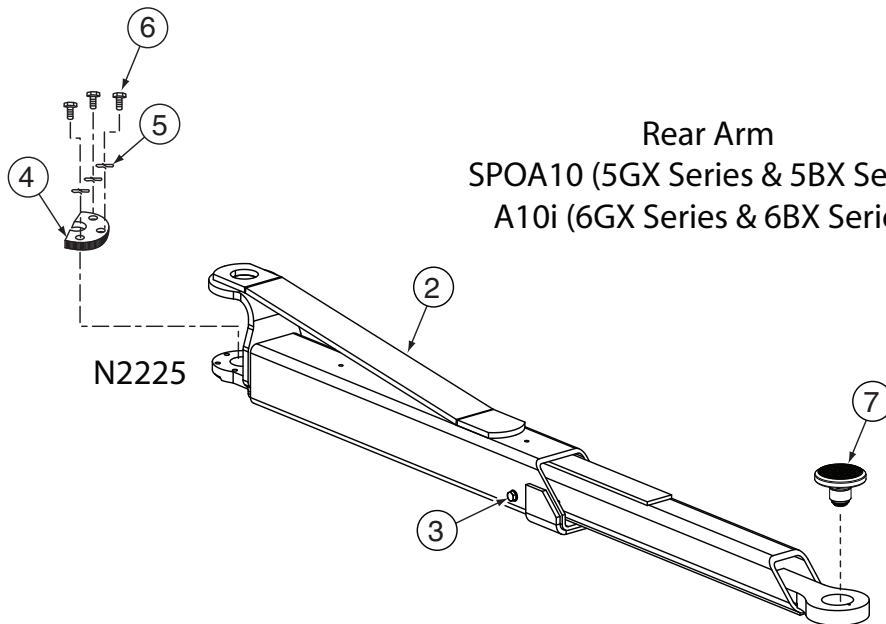
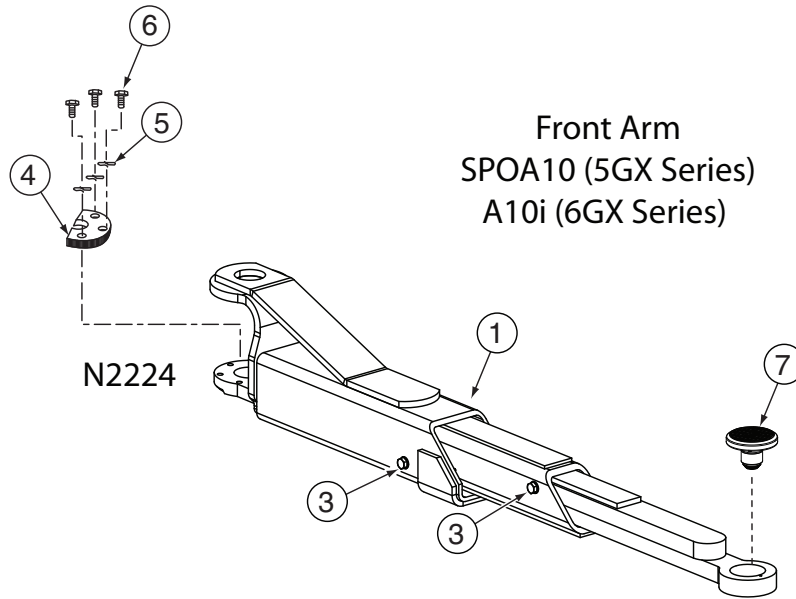
↑

Model number can be found on a tag on the side of the lift. The "X" is a variable number used to fill the place of the actual last number on your lift model number tag.



1.	Adapter Rack	FJ6127
2.	3-1/2" (90mm) Adapter Extension	FJ6171-1
3.	5-1/4" (130mm) Adapter Extension	FJ6171-2

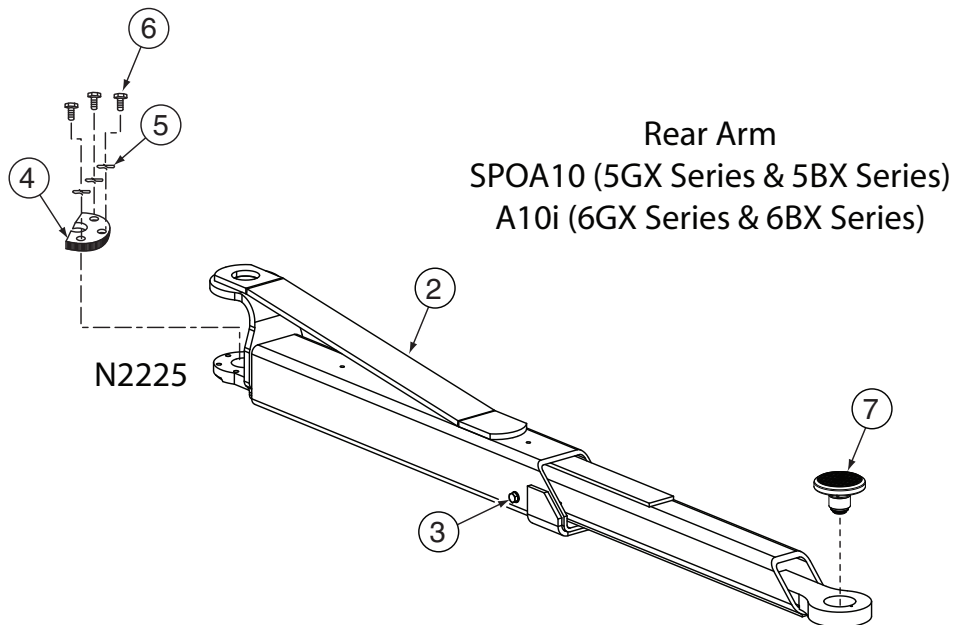
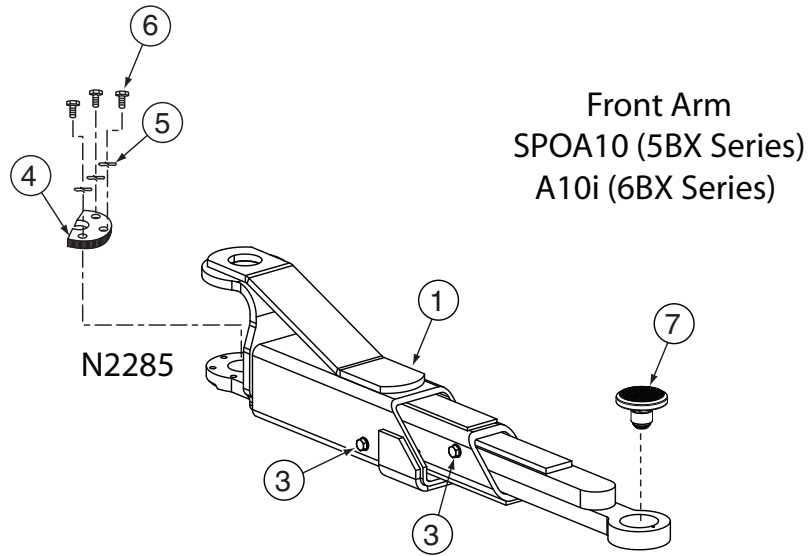
# Arm Detail



1.	Front Arm	
	SPOA10 (5GX Series)	*N2224
2.	Rear Arm	
	SPOA10 (5GX Series) & (5BX Series)	*N2225
3.	Stop Bolt Assembly	N219

4.	Arm Restraint Gear	N2122
5.	3/8" Spring Washers (For Lifts With Tapped Bearing Bar)	40818
6.	3/8"-16NC x 1-1/2" HHCS Grade 5	40201
7.	Low Profile Adapter Assembly	FJ6202
	Rubber Pad	FJ6202-3

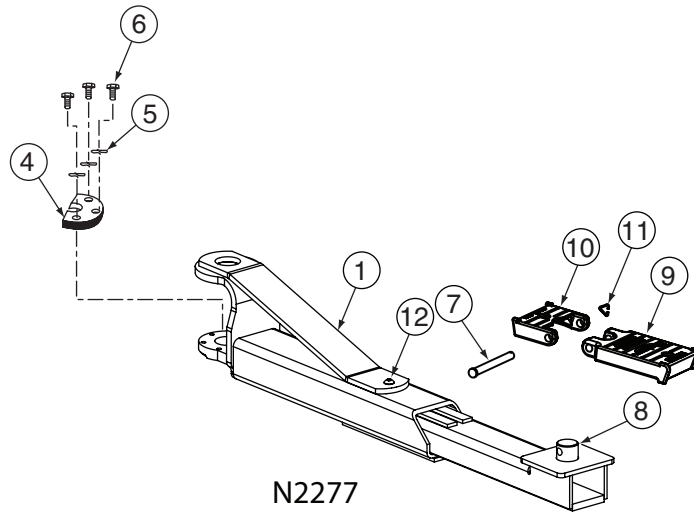
# Arm Detail



1.	Front Arm SPOA10 (5BX Series)	*N2285
2.	Rear Arm SPOA10 (5GX Series) & (5BX Series)	*N2225
3.	Stop Bolt Assembly	N219
4.	Arm Restraint Gear	N2122

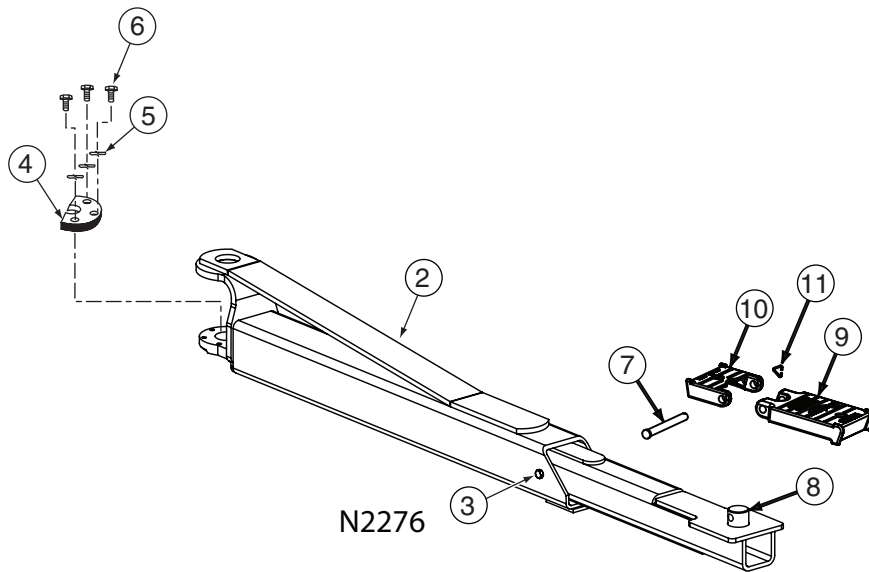
5.	3/8" Spring Washers (For Lifts With Tapped Bearing Bar)	40818
6.	3/8"-16NC x 1-1/2" HHCS Grade 5	40201
7.	Low Profile Adapter Assembly	FJ6202
	Rubber Pad	FJ6202-3

# Arm Detail



N2277

Front Arm  
SPOA10 (70X Series)  
A10i (70X Series)



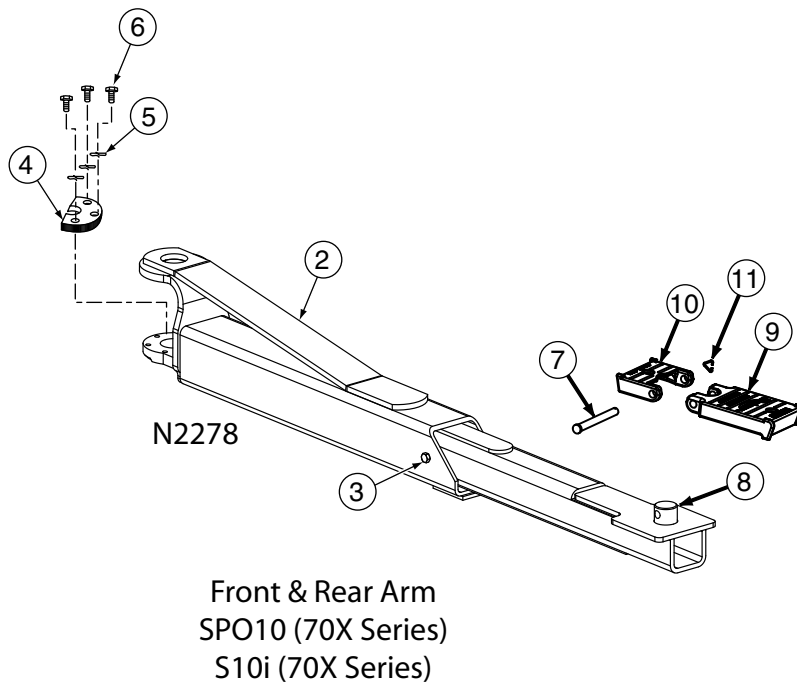
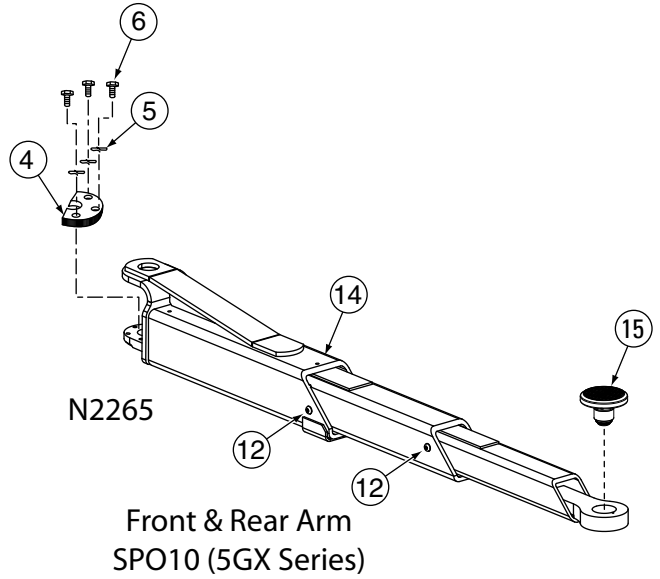
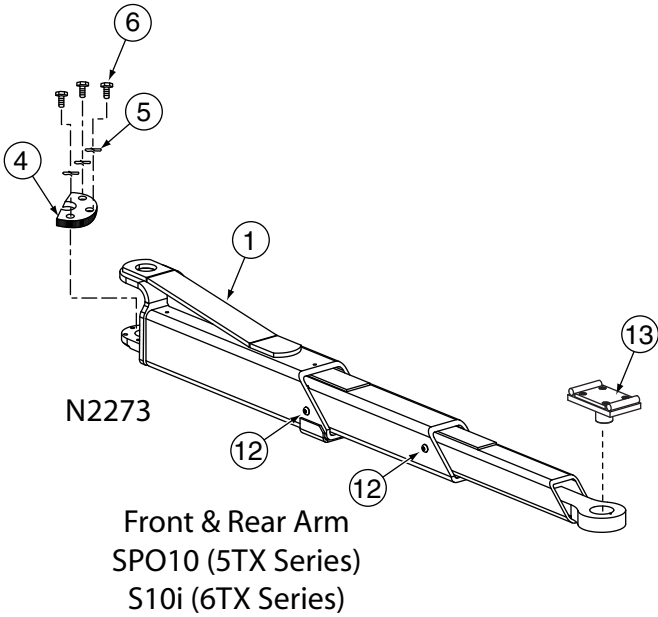
N2276

Rear Arm  
SPOA10 (70X Series)  
A10i (70X Series)

1.	Front Arm	
	SPOA10 (70X Series)	*N2277
2.	Rear Arm	
	SPOA10 (70X Series)	*N2278
3.	Stop Bolt 3/8"-16NC x 1/2" Lg. HHCS	40126
4.	Arm Restraint Gear	N2122
5.	3/8" Spring Washers (For Lifts With Tapped Bearing Bar)	40818

6.	3/8"-16NC x 1-1/2" HHCS Grade 5	40201
7.	Adapter Pin	FJ6179
8.	Adapter Swivel Pin	FJ79-6
9.	High Step Adapter	FJ6177
10.	Low Step Adapter	FJ6178
11.	3/32" Hog Ring for 1/2" Shaft (8 required)	FJ671-6
12.	Front Stop Bolt (M10 x 1.5 x 20mm BHCS)	41650

# Arm Detail

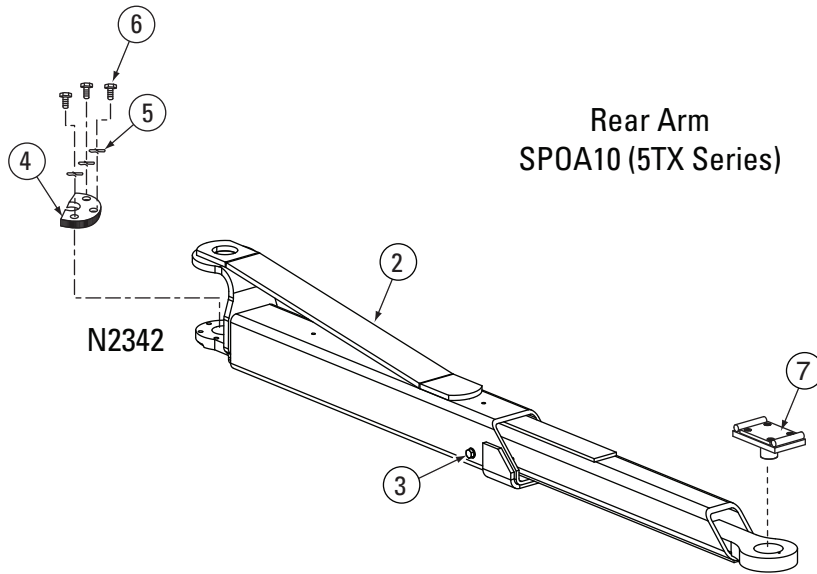
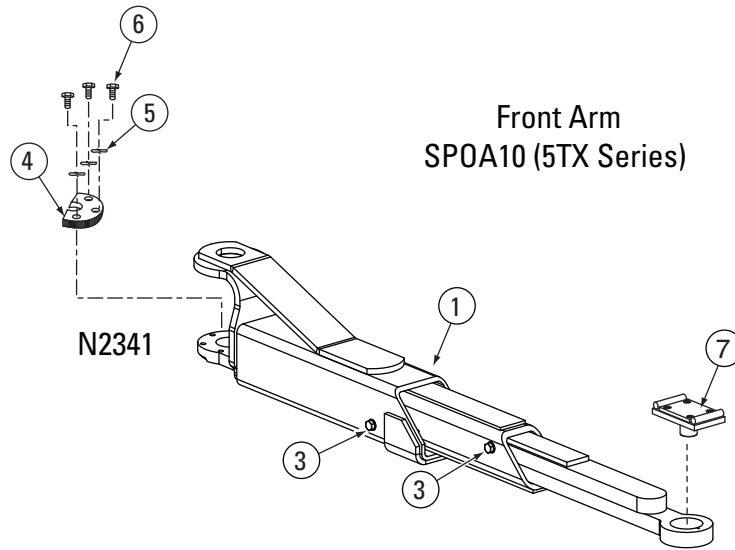


1.	Front And Rear Arm	
	SPO10 (5TX Series)	*N2273
2.	Rear Arm	
	SPO10 (70X Series)	*N2278
3.	Stop Bolt 3/8"-16NC x 1/2" Lg. HHCS	40126
4.	Arm Restraint Gear	N2122
5.	3/8" Spring Washers (For Lifts With Tapped Bearing Bar)	40818
6.	3/8"-16NC x 1-1/2" HHCS Grade 5	40201
7.	Adapter Pin	FJ6179

8.	Adapter Swivel Pin	FJ79-6
9.	High Step Adapter	FJ6177
10.	Low Step Adapter	FJ6178
11.	3/32" Hog Ring for 1/2" Shaft (8 required)	FJ671-6
12.	Front Stop Bolt (M10 x 1.5 x 20mm BHCS)	N2264-15
13.	Adapter Assembly (SPO10) 3-Stage Arm	FJ6214
	Rubber Pad	FJ6158-4
14.	Front and Rear Arm SPO10 (5GX Series)	*N2265
15.	Low Profile Adapter Assembly	FJ6202
	Rubber Pad	FJ6202-3



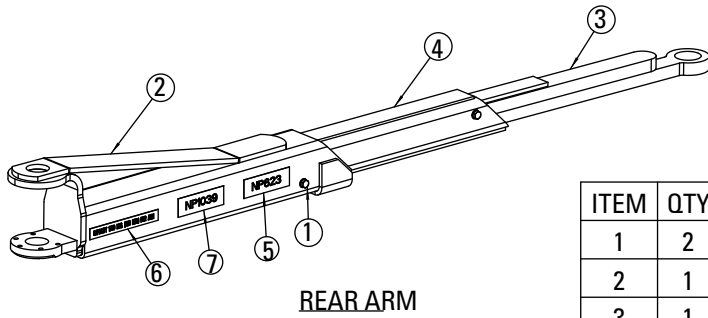
# Arm Detail



1.	Front Arm	
	SPOA10 (5TX Series)	*N2341
2.	Rear Arm	
	SPOA10 (5TX Series)	*N2342
3.	Stop Bolt Assembly	N219
4.	Arm Restraint Gear	N2122

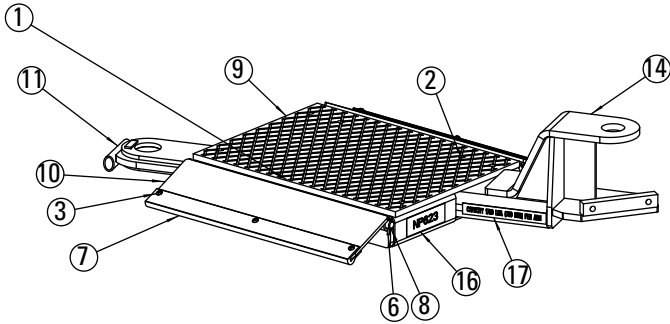
5.	3/8" Spring Washers (For Lifts With Tapped Bearing Bar)	40818
	3/8"-16NC x 1-1/2" HHCS Grade 5	40201
7	Adapter Assembly 3-Stage Arm	FJ6214
	Rubber Pad	FJ6158-4

# Arm Detail SPOA7 Hybrid

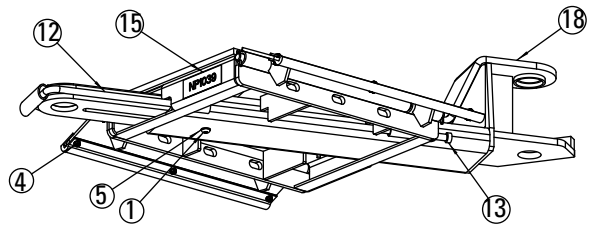


REAR ARM

ITEM	QTY	PART NO.	DESCRIPTION
1	2	N219	STOP BOLT ASSEMBLY
2	1	N2336-1	7K 3-STAGE OUTER ARM WELDMENT
3	1	N2336-2	7K 3-STAGE INNER ARM WELDMENT
4	1	N2336-3	7K 3-STAGE MIDDLE ARM WELDMENT
5	2	NP623	ALWAYS USE ADAPTERS NAMEPLATE
6	2	NP874	CAPACITY NAMEPLATE
7	2	NP1039	USE TRUCK ADAPTERS NAMEPLATE



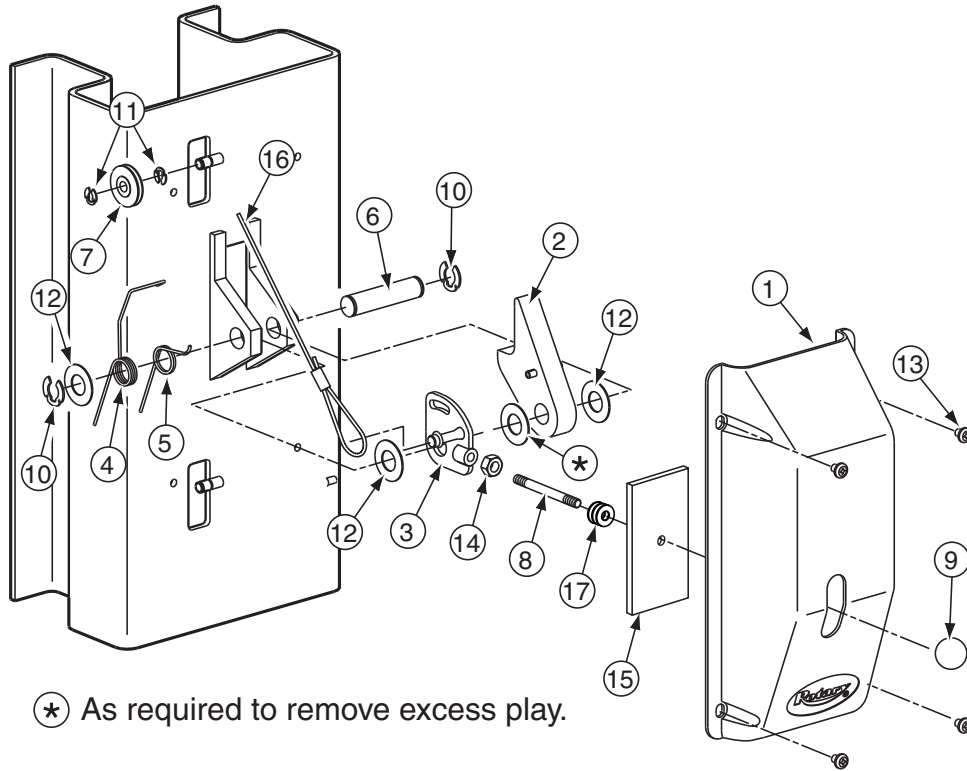
LEFT HAND PAD



RIGHT HAND PAD

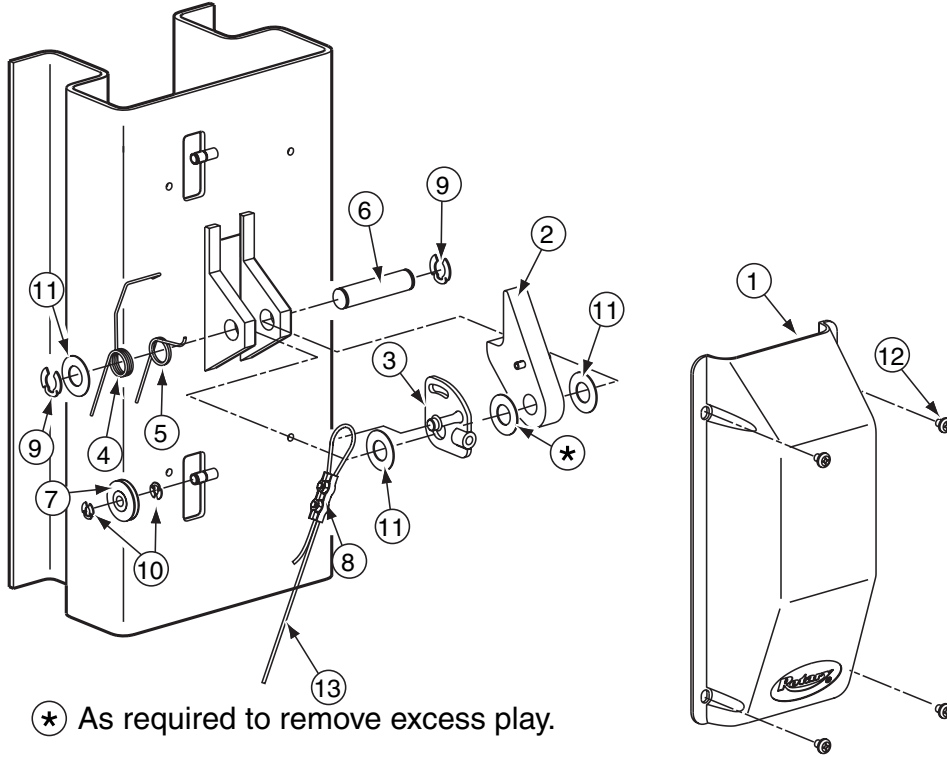
ITEM	QTY	PART NO.	DESCRIPTION
1	1	40157	3/8"-16NC x 3/4" Lg HEX SOC BHCS, GRD2
2	4	40174	1/4 x .475 BLIND RIVET McMASTER-CARR #97517A651 or EQ.
3	6	40192	#10-24NC x 3/4 Lg. PHILLIPS TRUSS HEAD SCREW, PLATED
4	6	40633	#10-24NC HEX FLGD WZLOCK NUT, PLTD
5	1	40843	3/8" INT TOOTH LW, PLTD
6	4	41202	5/32" x 1" Lg COTTER PIN
7	2	FC134-33	RAMP CHOCK SLIDE
8	2	FC5179-5	PIN
9	1	FJ2494	FRONT PAD RUBBER PAD
10	2	N2249	2-POST PAD LIFT RAMP WELDMENT
11	1	N2338-6	FRONT PAD INNER ARM WELDMENT
12	1	N2338-13	FRONT PAD INNER ARM ACTUATOR BAR
13	1	N2338-16	INNER ARM ACTUATOR ROD THUMB SCREW
14	1	N2339-1	LEFT HAND FRONT PAD WELDMENT
15	1	NP1039	USE TRUCK ADAPTER NAMEPLATE
16	1	NP623	RUBBER PAD ADAPTER NAMEPLATE
17	1	NP874	CAPACITY 1750 LBS NAMEPLATE
18	1	N2338	RIGHT HAND FRONT PAD WELDMENT

# Locking Latch Detail (Right Column)



ITEM	DESCRIPTION	PART#
1.	Control Side Cover.....	FJ7452
2.	Locking Latch Dog.....	N616
3.	Control Plate.....	FJ7594-2
4.	Spring.....	FJ7566-10
5.	Spring.....	FJ7382-9
6.	Latch Shaft.....	FJ7382-34
7.	Locking Latch Sheave.....	FJ7322
8.	Handle.....	FJ7382-18
9.	Ball Handle.....	FC134-91
10.	Truarc Klipring #5304-75 for 3/4" Shaft.....	41411
11.	Truarc Klipring #5304-37 for 3/8" Shaft.....	41410
12.	1-1/2" O.D. x 3/4" I.D. x .045" Mach. Bush.....	41388
13.	5/16"-18NC x 3/8" Lg. PHMS.....	40227
14.	3/8" - 16NC Hex Jam Nut.....	40658
15.	Slot Cover.....	N617
16.	Locking Latch Cable.....	FJ7600
17.	3/8" Flat Washer.....	40820

# Locking Latch Detail (Left Column)



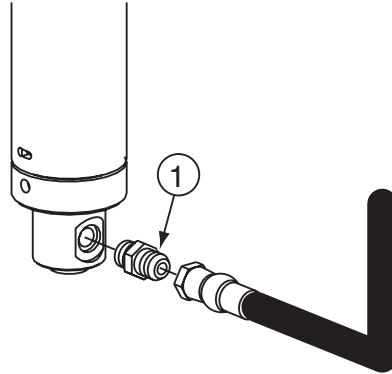
ITEM	DESCRIPTION	PART#
1.	Latch Cover .....	FJ7451
2.	Locking Latch Dog .....	N616
3.	Control Plate .....	FJ7594-2
4.	Spring.....	FJ7566-10
5.	Spring.....	FJ7382-9
6.	Latch Shaft.....	FJ7382-34
7.	Locking Latch Sheave.....	FJ7322
8.	Latch Cable Clamp.....	N63-1
9.	Truarc Klipring #5304-75 for 3/4" Shaft.....	41411
10.	Truarc Klipring #5304-37 for 3/8" Shaft.....	41410
11.	1-1/2" O.D. x 3/4" I.D. x .045" Mach. Bush.....	41388
12.	5/16"-18NC x 3/8" Lg. PHMS.....	40227
13.	Locking Latch Cable .....	FJ7600

NOTES:

NOTES:

NOTES:

# Cylinder Hose Adapter Detail



ITEM	DESCRIPTION	PART#
1.	Straight Adapter.....	FJ7352-3

DATE	REV.	CHANGE MADE
07/18/05	-	New (700 Series) instructions.
12/6/05	B	Added S model motor voltage information.
01/17/06	C	Updated Locking Latch Cable part number.
08/10/06	D	Updated powerunit part numbers and added barcode.
08/29/07	E	Combined 500 and 700 Series parts breakdowns
09/10/07	F	Updated capacitor box part numbers
01/24/08	G	Added SPOA10 Wide Supplemental Parts
08/19/08	H	Removed SPOA10 Wide Supplemental Parts-Added to IN20500 Install Added new SPOA10/SPO10 Part Numbers
2/17/09	J	Revision I skipped - Added SPOA10 5BX series arms.
7/31/09	K	Updated cylinder part numbers.
8/06/09	L	Added 3-Stage Arm Detail
8/03/10	M	Updated Corporate Address Information
2/10/11	N	Remove the old arms for the 50X, R8X, 51X, and 5NX Series models.
6/07/11	P	Added SPO10 5GX Series and SPOA10 5TX Series Arms. Changed standard overhead hose to N3103 and updated notes on page 4.
6/27/11	R	Bring revision level up-to-date to match change orders.
7/7/11	S	Updated cover graphic removing the NP93 display.
3/8/12	U	Updated latch hardware detail.
4/9/12	V	Added SPOA7 hybrid arms.

## Rotary World Headquarters

2700 Lanier Drive  
Madison, IN 47250, USA  
www.rotarylif.com

## North America Contact Information

Tech. Support:  
p 800.445.5438  
f 800.578.5438  
e userlink@rotarylif.com  
Sales:  
p 800.640.5438  
f 800.578.5438  
e userlink@rotarylif.com

## World Wide Contact Information

World Headquarters/USA: 1.812.273.1622  
Canada: 1.905.812.9920  
European Headquarters/Germany: +49.771.9233.0  
United Kingdom: +44.178.747.7711  
Australasia: +60.3.7660.0285  
Latin America / Caribbean: +54.3488.431.608  
Middle East / Northern Africa: +49.771.9233.0

## © Vehicle Service Group<sup>SM</sup>

Printed in U.S.A., All Rights Reserved. Unless otherwise indicated, ROTARY, and all other trademarks are property of Dover Corporation and its affiliates.

